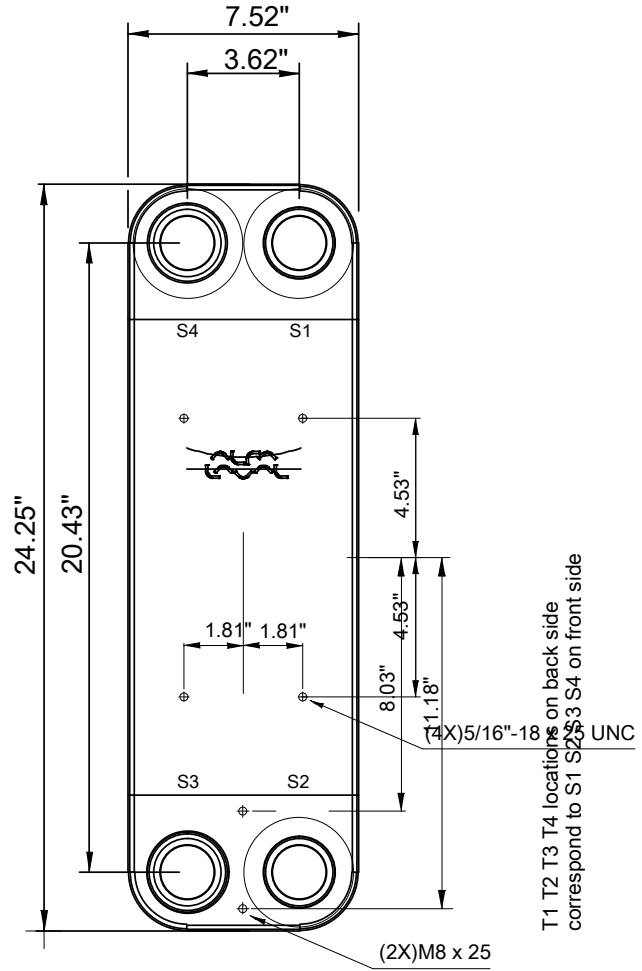
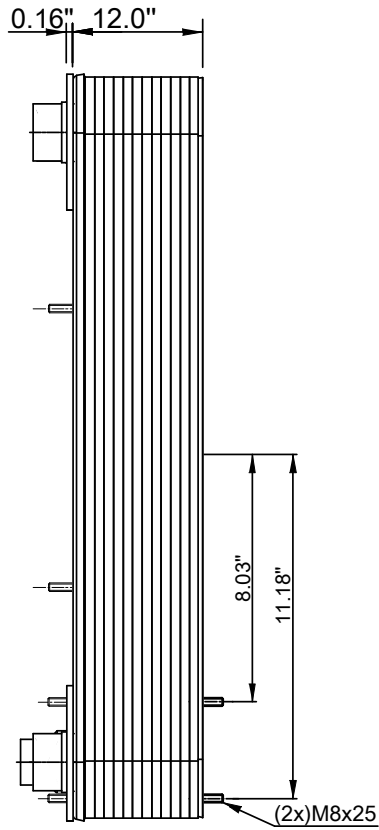
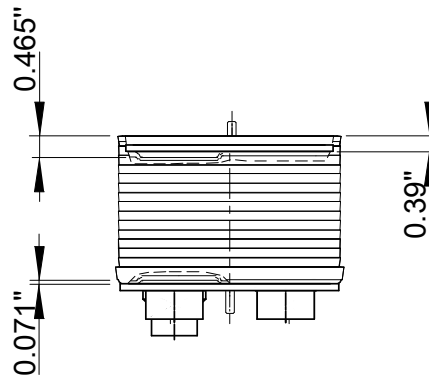
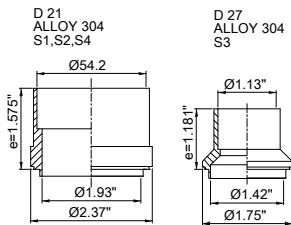


Note that all unique customer requirements (i.e tolerance) need to be verified thru Alfa Laval.



T1 T2 T3 T4 locations on back side correspond to S1 S2 S3 S4 on front side



HEATING SURFACE 166 ft<sup>2</sup>  
 NETWEIGHT 122.9 lb  
 OPERATING WEIGHT 154.9 lb  
 PLATE MATERIAL ALLOY 316  
 PLATE GROUPING 1\*69AMH/1\*70AML

ALL DIMENSIONS IN INCHES

SIDE	MEDIA	INLET	TEMP.	OUTLET	TEMP.	FLOW RATE	PRESSURE DROP	LIQUID VOL.
1	Water	S1	53.6 °F	S2	44.6 °F	133 GPM	5.5 psi	0.49 ft <sup>3</sup>
2	R410A	S3	35.5 °F	S4	44.6 °F	1200 GPM	21.1 psi	0.39 ft <sup>3</sup>

PRESSURE VESSEL APPROVAL

UL/CRN

ACH220EQ-140AM-F (3287155313)

www.alfalaval.com

CUSTOMER NAME / REF. NO.

TOTAL LENGTH 14.4 in  
 TOTAL WIDTH 7.5 in  
 TOTAL HEIGHT 24.3 in

COMPANY / REF.

Integración de Soluciones Sustentables S.A. de C.V.  
 Integración de Soluciones Sustentables S.A. de C.V. 38001

6/15/2021  
 REV 0