

P70, P72, and P170 Series Controls for High Pressure Applications

Application

P70, P72, and P170 Series Controls for High Pressure Applications provide high-side pressure control on commercial refrigeration and air conditioning applications.

They may also be used on air, water and other noncorrosive fluid applications. Ammonia compatible models are also available.

IMPORTANT: Except for those models listed as *Refrigeration Pressure Limiting Controls*, use the P70, P72, and P170 Series Controls for High Pressure Applications only as an operating control. Where failure or malfunction of a P70, P72, or P170 pressure control could lead to personal injury or property damage to the controlled equipment or other property, additional precautions must be designed into the control system. Incorporate and maintain other devices such as supervisory or alarm systems or safety or limit controls intended to warn of, or protect against, failure or malfunction of the P70, P72, or P170 pressure control.

- **P70C, P70D, P170C, and P170D type models** with Single-Pole Single-Throw (SPST) Open-High switch action are the most popular models and are typically used as high pressure Cutout controls. The **C type models** are automatic reset controls. The **D type models** have a manual reset lockout mechanism. Some **P70C, P70D, P170C, and P170D type models** are UL Listed as refrigeration pressure limiting controls. See Table 2 for standard models available.
- **P70A and P170A type models** feature SPST Open-Low switch action and typically are used for condenser-fan cycling control.
- **P70 and P170 Series models** with Single-Pole Double-Throw (SPDT), or 4-Wire, 2-Circuit switch action allow users to install alarm devices or other control circuits.
- **P72 Series models** have a Double-Pole Single-Throw (DPST) switch with load-carrying contacts that can provide direct control of 208-240 VAC single-phase motors up to 3 hp, 480 and 600 VAC single-phase noncompressor motors, and 208-220 VAC 3-phase motors up to 5 hp. See Table 6.

Controls are available in several pressure ranges and are compatible with most common refrigerants.

CAUTION: Risk of Property Damage.

Mount the pressure control separately from the electrical cabinet and seal all electrical piping to prevent ammonia from migrating to electrical components. Where there may be exposure to ammonia, use only ammonia compatible control modules and pressure connections. System shutdown due to improper adjustment may cause property damage.

The **Manual Reset Lockout** mechanism does not allow the pressure control to automatically reset after the control has Cutout, providing shutdown capability for unmonitored equipment. See *Manual Reset Operation*.

NEMA 1 enclosures are standard on most models. **NEMA 3R enclosures** are also available on quantity orders.

Dimensions

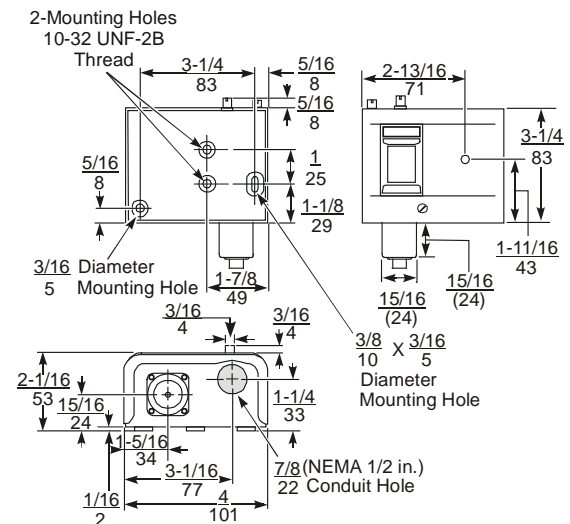


Figure 1: Dimensions for P70, P72, and P170 Pressure Controls with NEMA 1 Enclosures, in. (mm)

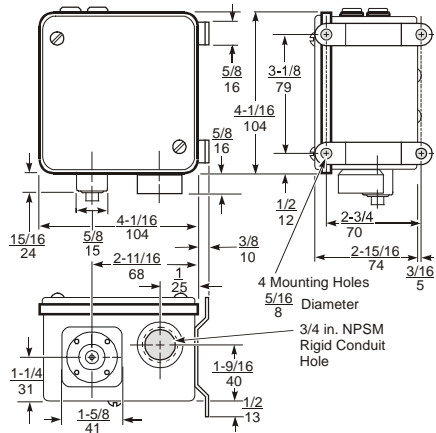


Figure 2: Dimensions for P70, P72, and P170 Pressure Controls with NEMA 3R Enclosures, in. (mm)

Mounting

Mount the control in an accessible position, where the control and pressure connection are not subject to damage.

Mount the pressure control upright and level. Position the pressure connection line to allow drainage away from control bellows. Locate pressure tap points on the top side of the refrigerant lines to reduce the possibility of oil, liquids, or sediment accumulating in the bellows, which could cause control malfunction.

Mount controls with NEMA 1 enclosures on horizontal or vertical flat surfaces.

Use two screws or bolts through the two outer holes on the back of the control case to mount the control directly to a flat, vertical surface.

Use the two inner holes with the Universal Mounting Bracket (and screws supplied) when mounting the control to a flat, horizontal surface. See Figure 3.

Mount controls with NEMA 3R enclosures in a level, upright position with the bellows and conduit connection facing down. Ensure that all gaskets are in place. Mounting NEMA 3R enclosures in any position other than upright and level may trap water in the enclosure and submerge internal control components.

IMPORTANT: Use only the mounting screws supplied with the Universal Mounting Bracket to avoid damaging internal components. Be careful not to distort or bend the control case when mounting the control to an uneven surface. Using other screws or bending the control case will void the warranty.

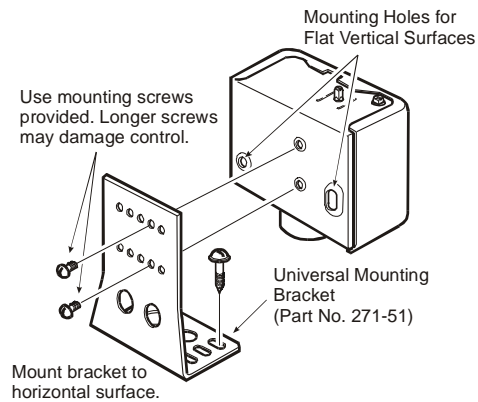


Figure 3: Mounting the P70, P72, and P170 Pressure Controls with NEMA 1 Enclosures, in. (mm)

Pressure Connections

P70, P72, and P170 high pressure controls are connected to the controlled equipment by a capillary (except ammonia models). These controls are available with a variety of pressure connection styles.

Follow these guidelines when installing pressure connection lines:

IMPORTANT: If these controls are installed on equipment that contains hazardous or regulated materials, such as refrigerants or lubricants, you must comply with all standards and regulations governing the containment and handling of those materials.

Avoid Sharp Bends in the Capillary Tube

Sharp bends can weaken or kink capillary tubes, which may result in leaks or restrictions.

Allow for Slack in the Capillary Tube

Leaving a little slack in the capillary tube helps dampen mechanical vibration that can weaken or damage capillary tubes.

Coil and Secure Excess Capillary Tubing

Carefully loop any excess capillary tubing into smooth, circular coils (approximately 2 to 3 in. [50 to 75 mm] diameter). Securely fasten the coiled tubing.

Avoid Contact between the Capillary Tubing and Sharp or Abrasive Objects

Vibration of sharp or abrasive objects in contact with capillary tubes can result in leaks.

Do Not Overtighten Flare Nuts on Pressure Connection Line Fittings

Overtightening flare connections may damage the threads on the flare nuts or flare connectors, and may result in leaks. Do not exceed 9 ft-lb (12 N-m) of torque when tightening brass flare connections.

Avoid Severe Pressure Pulsation at Pressure Connections

Install pressure connection lines to pressure tap points away from the compressor to minimize the effects of pressure pulsation from reciprocating compressors.

IMPORTANT: After installing the control, evacuate pneumatic and pressure connection lines to remove air, moisture and other contaminants in a manner consistent with applicable environmental regulations and standards.

Wiring

P70, P72, and P170 controls for high pressure applications are available with several switch options and electrical ratings. Check the label inside the control cover for model number, switch action, and electrical rating. See Table 1 for switch actions and models. See *Electrical Ratings*.

Check the wiring terminal designations on the control switch-block, and refer to the following guidelines and applicable wiring diagrams when wiring the control.

! WARNING: Risk of Electrical Shock. Disconnect each of multiple power supplies before making electrical connections. More than one disconnect may be required to completely de-energize equipment. Contact with components carrying hazardous voltage can cause electric shock and may result in severe personal injury or death.

IMPORTANT: Use only the terminal screws that are supplied with the switch-block. Using other screws may cause damage to the switch-block and will void the warranty.

IMPORTANT: Use copper conductors only. Make all wiring connections in accordance with local, national, and regional regulations. Do not exceed the controls.

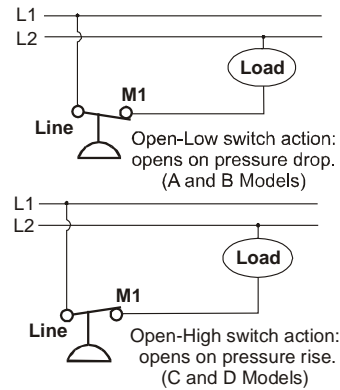


Figure 4: Typical Wiring for SPST Switch (P70A, B, C, D and P170A, C, D Type Models)

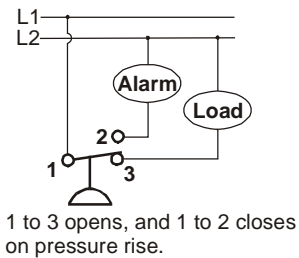


Figure 5: Typical Wiring for SPDT Switch (P70E and F Type Models)

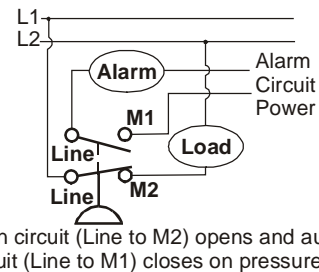


Figure 6: Typical Wiring for 4-Wire, 2-Circuit Switch (P70J, K and P170K Type Models)

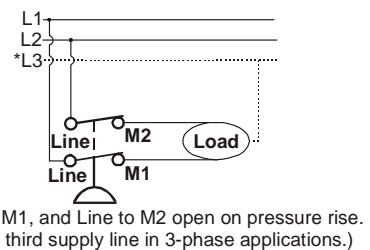


Figure 7: Typical Wiring for DPST Switch (P72C and D Type Models)

Table 1: Pressure Control Switch Action, Low Events, High Events, Model Types, and Electrical Ratings Tables References

Switch and Action	Low Event	High Event	Model Types - Electrical Rating Table References
Single-Pole Single-Throw (SPST) Open-Low	Cutout (Opens Line to M1)	Cut In (Closes Line to M1)	P70A, P70B, P170A See Table 3.
Single-Pole Single-Throw (SPST) Open-High	Cut In (Closes Line to M1)	Cutout (Opens Line to M1)	P70C, P70D, P170C, P170D See Table 3.
Single-Pole Double-Throw (SPDT)	Opens 1 to 2 and Closes 1 to 3	Closes 1 to 2 and Opens 1 to 3	P70E, P70F See Table 4.
4-Wire, 2-Circuits, 1-NO, 1-NC Open-Low	Cutout (Opens M2 to Line and Closes M1 to Line)	Cut In (Closes M2 to Line and Opens M1 to Line)	P70G, P70H See Table 5.
4-Wire, 2-Circuits, 1-NO, 1-NC Open-High	Cut In (Closes M2 to Line and Opens M1 to Line)	Cutout (Opens M2 to Line and Closes M1 to Line)	P70J, P70K, P170K See Table 5.
Double-Pole Single-Throw (DPST) Open-Low	Cutout (Opens M1 to Line and M2 to Line)	Cut In (Closes M1 to Line and M2 to Line)	P72A, P72B See Table 6.
(DPST) Open-High	Cut In (Closes M1 to Line and M2 to Line)	Cutout (Opens M1 to Line and M2 to Line)	P72C, P72D See Table 6.

Adjustments

Adjustments of the P70, P72, and P170 high pressure controls vary, depending on the model. The following guidelines and diagrams illustrate the procedures for adjusting these controls. Refer to the product label inside the control cover for model number and switch action. Refer to Table 1 for switch action, low event, and high event for the various control models.

High Pressure Cutout - Automatic Reset

High pressure Cutout controls with automatic reset have a scaleplate that displays the Cut In and Cutout setpoints. (See the visible scale on the control.) Turn the range screw to adjust the Cut In and Cutout setpoints up or down simultaneously, while maintaining a constant pressure differential. Turn the differential screw to adjust (only) the low event on the left side of the scale (which changes the differential pressure value).

High Pressure Cutout - Manual Reset Lockout

High pressure Cutout controls with the Manual Reset Lockout option have a scaleplate that displays the Cutout setpoint. There is no pointer for the Cut In setpoint. (See the visible scale on the control.)

Turn the range screw to adjust the Cutout setpoint on the right side of the scale. There is no differential

screw on Manual Reset Lockout models. The differential pressure value is fixed.

Condenser Fan Cycling - Open-Low Switch Action

Condenser fan cycling pressure controls have a scaleplate that displays the Cut In setpoint and Differential setting. (See visible scale on the control.) Turn the range screw to adjust the Cut In setpoint on the right side of the scale. Turn the differential screw to adjust the Differential setting on the left side of the scale (which changes the Cutout pressure value).

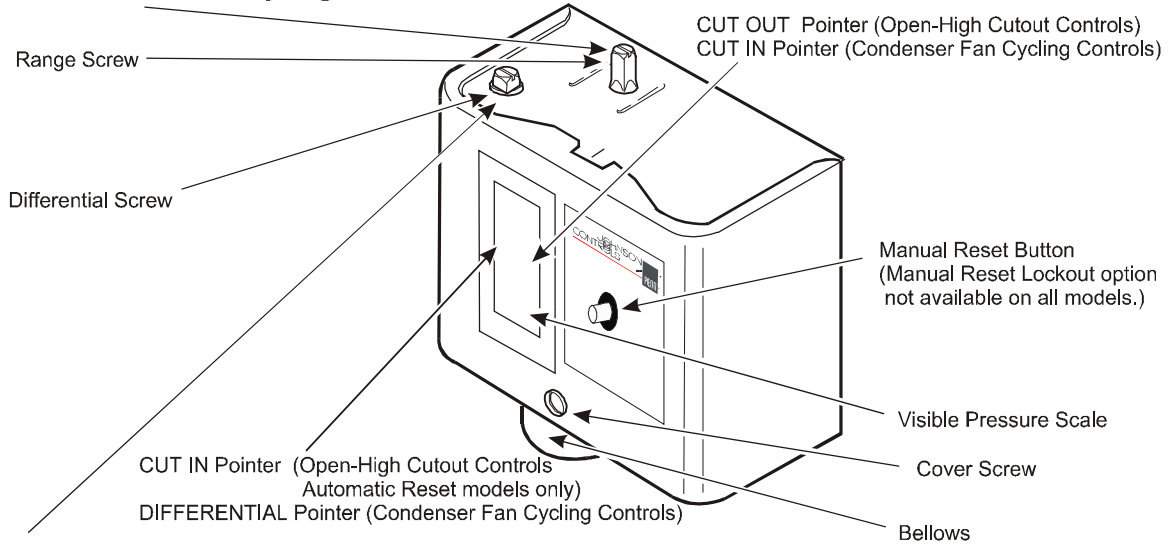
IMPORTANT: Do not adjust pointers beyond the highest or lowest indicator marks on the control's pressure scale. Adjusting pointers beyond indicator marks may damage screw threads, may cause inaccurate control operation, and will void the warranty.

IMPORTANT: Use the pressure control settings recommended by the manufacturer of the controlled equipment. Do not exceed the pressure ratings of the controlled equipment or any of its components when checking pressure control operation or operating the controlled equipment.

Step 1. Set high event by adjusting range screw.

High Pressure Cutout Controls: Turn screw clockwise to raise CUT OUT.

Condenser Fan Cycling Controls: Turn screw clockwise to lower CUT IN.



Step 2. Adjust the differential screw.

High Pressure Cutout Controls: Turning the differential screw changes CUT IN setpoint.
(Auto-Reset models only) Turn screw clockwise to lower CUT IN setpoint.

Condenser Fan Cycling Controls: Turning the differential screw changes the differential setting.
Turn screw clockwise to increase DIFFERENTIAL.

Figure 8: Adjusting P70, P72, and P170 Controls for High Pressure Applications

IMPORTANT: After mounting and wiring control, attach a reliable set of gauges to the controlled equipment, and operate the equipment (at least) three cycles at the pressures necessary to verify control setpoints and proper equipment operation.

On equipment with locked-out controls, first determine and remedy the cause of the lockout, and allow the sensed pressure to drop at least 70 psig below the Cutout setpoint. Then, press and release the reset button on the front of the control to restore operation of the controlled equipment.

Manual Reset Operation

Pressure controls with the Manual Reset option lock out when they reach Cutout pressure and must be manually reset by the user to restart the controlled equipment. The manual reset mechanism is **trip-free** and cannot be overridden by blocking or tying the reset button down.

Table 2: Standard P70, P72, and P170 Control Models for High Pressure Applications

Model Number	Switch Action	Range Psig (kPa)	Differential Psi (kPa)	Pressure Connection	Maximum Working Pressure (MWP) Psi (kPa)
Condenser Fan Cycling Control Models (for Noncorrosive Refrigerants)					
P70AA-118	SPST Open-Low	100 to 400 psig (690 to 2758)	Minimum 35 (241) Maximum 200 (1379)	36 in. Capillary with 1/4 in. Flare Nut	475 (3275)
P72AA-27	DPST Open-Low	100 to 400 psig (690 to 2758)	Minimum 35 (241) Maximum 200 (1379)	1/4 in. Male Flare Connector	
P170AA-118	SPST Open-Low				
All-Range Control Models (for Noncorrosive Refrigerants)					
P70CA-2*	SPST Open-High	50 to 500 (345 to 3448)	Minimum 60 (414) Maximum 150 (1034)	1/4 in. Male Flare Connector	525 (3620)
P70CA-3*			Manual Reset Lockout	36 in. Capillary with 1/4 in. Flare Nut	
P70DA-1*					
P70KA-1*	4-Wire, 2-Circuit Line-M1 Close-High Line-M2 Open-High				
P72CA-2*	DPST Open-High		Minimum 60 (414) Maximum 150 (1034)	36 in. Capillary with 1/4 in. Flare Nut	
P72DA-1*			manual Reset Lockout		
P170CA-3*	SPST Open-High	Minimum 60 (414) Maximum 150 (1034)	1/4 in. Male Flare Connector		
P170DA-1*		Manual Reset Lockout			
P170KA-1*		4-Wire, 2-Circuit Line-M1 Close-High Line-M2 Open-High			
Ammonia-Compatible Models					
P70AA-119	SPST Open-Low	50 to 300	Minimum 20 (138) Maximum 120 (827)	525 (3620)	
P70CA-5*	SPST Open-High	50 to 500 (345 to 3448)	Minimum 60 (414) Maximum 150 (1034)		
P70DA-2*			Manual Reset Lockout		
Continued on next page . . .					

Model Number (Cont.)	Switch Action	Range Psig (kPa)	Differential Psi (kPa)	Pressure Connection	Maximum Working Pressure (MWP) Psi (kPa)
High Pressure Control Models for High Pressure Non-corrosive Refrigerants					
P70AA-400	Condenser Fan Cycling	100 to 470 (689 to 3241)	Adjustable 35 to 200 (241 to 1379)	36 in. Capillary with 1/4 in. Flare Nut	690 (4757)
P170AA-400	SPST Opens Low			1/4 in. Male Flare Connector	
P70CA-400*	SPST Opens High	200 to 610 (1379 to 4206)	Adjustable 60 to 150 (413 to 1034)	36 in. Capillary with 1/4 in. Flare Nut	
P170CA-400*				1/4 in. Male Flare Connector	
P70DA-400*		200 to 610 (1379 to 4206)	Manual Reset Lockout	36 in. Capillary with 1/4 in. Flare Nut	
P170DA-400*				1/4 in. Male Flare Connector	

* Models that are UL Listed as refrigeration pressure limiting controls. For models not included in this table, contact the Refrigeration Application Engineering Group at 1-800-275-5676 for details and availability.

Note: See *Dimensions* and *Technical Specifications* for additional model information including Maximum Working Pressure.

Electrical Ratings

Table 3: SPST Electrical Ratings (P70A, B, C, D, and P170A, B, C, D Models)

	Standard Single-Phase Ratings					Hermetic Compressor Single-Phase Ratings
	120 VAC	208 VAC	240 VAC	*480 VAC	*600 VAC	208/240 VAC
Motor Full-Load Amperes	24	18.7	17	5	4.8	24
Motor Locked-Rotor Amperes	144	112.2	102	30	28.8	144
Non-Inductive Amperes	22	22	22	--	--	--
Pilot Duty	125 VA at 120 to 600 VAC; 57.5 VA at 120 to 300 VDC					

* Not for compressor motor loads

Table 4: SPDT Electrical Ratings Standard Differential Switch (P70E Models)

	Standard Single-Phase Ratings			
	120 VAC	208 VAC	240 VAC	*277 VAC
Motor Full Load Amperes	16.0	9.2	8.0	7.0
Motor Locked Rotor Amperes	96.0	55.2	48.0	42.0
Non-Inductive Amperes	16.0	16.0	16.0	16.0
Pilot Duty	125 VA at 120 to 600 VAC			125 VA at 24 to 600 VAC

* Rating for P70EC models only

Table 5: 4-Wire, 2-Circuit Electrical Ratings (P70G, H, J, K, and P170K Models)

	Standard Single-Phase Ratings									
	Line-M2 (Main Contacts)						Line-M1 (Auxiliary Contacts)			
	120 VAC	208 VAC	240 VAC	277 VAC	*480 VAC	*600 VAC	120 VAC	208 VAC	240 VAC	277 VAC
Motor Full Load Amperes	16.0	9.2	8.0	--	5	4.8	6.0	3.3	3.0	--
Motor Locked Rotor Amperes	96.0	55.2	48.0	--	30	28.8	36.0	19.8	18.0	--
Non-Inductive Amperes	16.0	9.2	8.0	7.2	--	--	6.0	6.0	6.0	6.0
Pilot Duty (for both sets of contacts)	125 VA at 24 to 600 VAC; 57.5 VA at 120 to 300 VDC									

* Not for compressor motor loads

Table 6: DPST Electrical Ratings (P72A, B, C and D Type Models)

	Standard Ratings							Hermetic Compressor Ratings	
	120 VAC 1Ø	208 VAC 1Ø	240 VAC 1Ø	208 VAC 3Ø	220 VAC 3Ø	*480 VAC 1Ø	*600 VAC 1Ø	208 VAC 1Ø	240 VAC 1Ø
Motor Full-Load Amperes	24	18.7	17	15.9	15	5	4.8	24	24
Motor Locked-Rotor Amperes	144	112.2	102	95.4	90	30	28.8	144	144
AC Non-Inductive Amperes	24	24	24	24	24	--	--	--	--
DC Non-Inductive Amperes	3	0.5	0.5	0.5	0.5	--	--	--	--
Pilot Duty	125 VA at 120 to 600 VAC; 57.5 VA at 120 to 300 VDC								

* Not for compressor motor loads

Technical Specifications

Product	P70, P72, and P170 Controls for High Pressure Applications		
Switch Action	P70, P170: SPST; 4-Wire/2-Circuit; or SPDT PENN® switch		P72: DPST
Pressure Connection	P70, P72 Standard Models Various connections available	P170 Standard Models 1/4 in. SAE male flare	Ammonia Compatible Models 1/4 in. stainless steel female NPT connection
Ambient Temperature	P70E and P70F: 50 to 104°F (10 to 40°C) All Other Models: -40 to 140°F (-40 to 60°C)		
Case and Cover	NEMA 1 Enclosures: Case is galvanized steel; cover is plated and painted steel. NEMA 3R Enclosures: Case and cover are plated and painted steel.		
Dimensions (H x W x D)	NEMA 1 Enclosure: 3-1/4 x 4 x 2-1/16 in. (83 x 101 x 53 mm) NEMA 3R Enclosure: 4-1/16 x 4-1/16 x 2-15/16 in. (104 x 104 x 74 mm)		
Approximate Shipping Weight	Individual Pack (NEMA 1): 2.4 lb (1.08 kg); Bulk Pack (NEMA 1, multiples of 25 controls): 60 lb (27.2 kg)		
Compliance	For information on specific models, contact the Refrigeration Application Engineering Group at 1-800-275-5676.		
Accessories	271-51 Universal Mounting Bracket (supplied with standard controls)		

The performance specifications are nominal and conform to acceptable industry standards. For application at conditions beyond these specifications, contact the Refrigeration Application Engineering Group at 1-800-275-5676. Johnson Controls, Inc. shall not be liable for damages resulting from misapplication or misuse of its products.

European Single Point of Contact:

JOHNSON CONTROLS
WESTENDHOF 3
45143 ESSEN
GERMANY

NA/SA Single Point of Contact:

JOHNSON CONTROLS
507 E MICHIGAN ST
MILWAUKEE WI 53202
USA

APAC Single Point of Contact:

JOHNSON CONTROLS
C/O CONTROLS PRODUCT
MANAGEMENT
NO. 22 BLOCK D NEW DISTRICT
WUXI JIANGSU PROVINCE 214142
CHINA



Controls Group
507 E. Michigan Street
P.O. Box 423
Milwaukee, WI 53201

Published in U.S.A.
www.johnsoncontrols.com

Controles para Aplicaciones de Presión Alta Series P70, P72 y P170

Aplicación

Los Controles de las Series P70, P72 y P170 para Aplicaciones de Presión Alta proporcionan control de presión del lado de alta en aplicaciones de refrigeración comercial y de aire acondicionado.

IMPORTANTE: Con excepción de los modelos listados como *Controles de Límite de Presión de Refrigeración*, el propósito de los controles de las Series P70, P72 y P170 para Aplicaciones de Presión Alta es de controlar equipo bajo condiciones de operación normales. Donde un mal funcionamiento o falla de un control de presión P70, P72, o P170 pueda resultar en una condición anormal de operación, que a su vez pueda causar lesión personal o daño al equipo u otra propiedad, se deben instalar otros aparatos (controles limitadores o de seguridad) o sistemas (de alarma o supervisión) para advertir o proteger contra éstas fallas o mal funcionamiento del control de presión P70, P72, o P170, y mantenerse como parte del sistema de control.

- **Modelos del Tipo P70C, P70D, P170C y P170D** con acción del interruptor de Un Polo – Un Tiro (SPST) con acción Abren en Alta son los modelos más populares y se usan típicamente como controles de Desconexión de presión alta. Los **modelos de tipo C** son controles con restablecimiento automático. Los **modelos de tipo D** tienen un mecanismo de bloqueo de restablecimiento manual. Algunos **modelos del tipo P70C, P70D, P170C y P170D** están Listados por UL como controles de límite de presión de refrigeración.
- **Los modelos del tipo P70A y P170A** están disponibles con interruptor SPST con acción abren en Baja y se usan típicamente para controlar el ciclo del abanico del condensador.
- **Los modelos de la Serie P70 y P170** tienen un interruptor de Un Polos-Dos Tiro (SPDT), o de 4 Alambres-2 Circuitos que permiten que los usuarios instalen aparatos de alarma u otros circuitos de control.
- **Los modelos de la Serie P72** tienen un interruptor de Dos Polos-Un tiro (DPST) con contactos para llevar la carga que puede proporcionar control directo a motores de monofásicos de 208-240 VCA hasta 3 HP, motores monofásicos de 480 y 600 VCA no de compresor y motores trifásicos de 208-220 VCA hasta 5 HP. Refiérese a la Tabla 6.

Estos controles están disponibles en varios rangos de presión y son compatibles con los refrigerantes más comunes. También se usan en aplicaciones de aire, agua, y otros líquidos no corrosivos. También tenemos modelos compatibles con amoníaco.



PRECAUCION: Riesgo de Daño del

Equipo. El amoníaco es muy corrosivo a componentes de cobre y latón. En aplicaciones de amoníaco se deben usar sólo modelos de control y conexiones de presión compatibles con amoníaco. El control de presión se debe instalar separadamente del gabinete eléctrico y se deben sellar todos los conductos eléctricos para evitar que el amoníaco se filtre a los componentes eléctricos.

El mecanismo de **Bloqueo de Restablecimiento Manual** no permite que el control se restablezca automáticamente después de llegar al punto de Desconexión, y proporciona la capacidad de apagado para equipo no monitoreado. Ver *Ajuste de Operación de Restablecimiento Manual*.

Las cajas NEMA 1 son estándares en la mayoría de los modelos.

Las cajas NEMA 3R también están disponibles.

Dimensiones

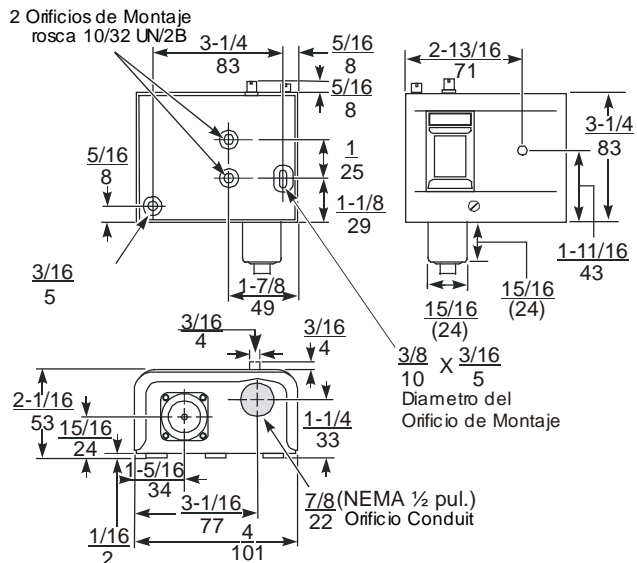


Figura 1: Dimensiones para los Controles de Presión P70, P72, y P170 con Cajas NEMA 1, pulg. (mm)

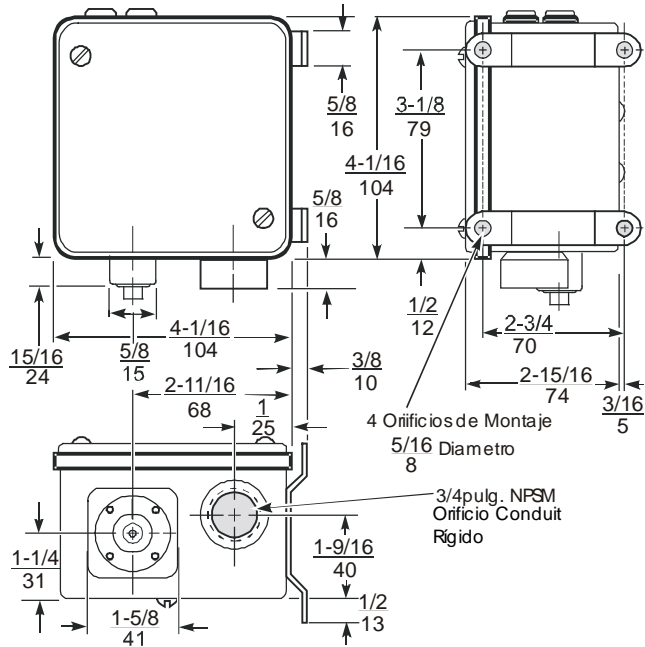


Figura 2: Dimensiones para Controles de Presión P70, P72, y P170 con Cajas NEMA 3R, pulg. (mm)

Instalación

Instale el control en una posición accesible, donde el control y la línea de conexión de presión no se dañen.

Instale el control de presión en una posición vertical y nivelada. Coloque la línea de conexión de presión de manera que se pueda drenar lejos del fuelle del control. Los puntos de entrada de la presión se deben localizar en el lado superior de la línea de refrigerante para reducir la posibilidad de que el aceite, líquidos, o sedimento se acumulen en el fuelle, que podría causar un mal funcionamiento del control.

Instale los controles con cajas NEMA 1 en superficies planas horizontales o verticales.

Use dos tornillos o pernos a través de los dos orificios exteriores en el reverso de la caja de control cuando se instale directamente en una superficie plana y vertical.

Use los dos orificios internos con el soporte de Instalación Universal (y los tornillos provistos), al instalar el control en una superficie plana y horizontal. Ver Figura 3.

Instale los controles con cajas NEMA 3R en una posición nivelada y vertical, con el fuelle y la conexión conduit hacia abajo. Asegúrese que todos los empaques estén en su lugar. La instalación de cajas NEMA 3R en cualquier posición otra que vertical y nivelada puede atrapar agua en la caja y sumergir los componentes internos del control.

IMPORTANTE: Use sólo los tornillos de montaje provistos con el soporte de Instalación Universal para evitar daño a los componentes internos. No tuerza la caja del control cuando instale el control a una superficie irregular.

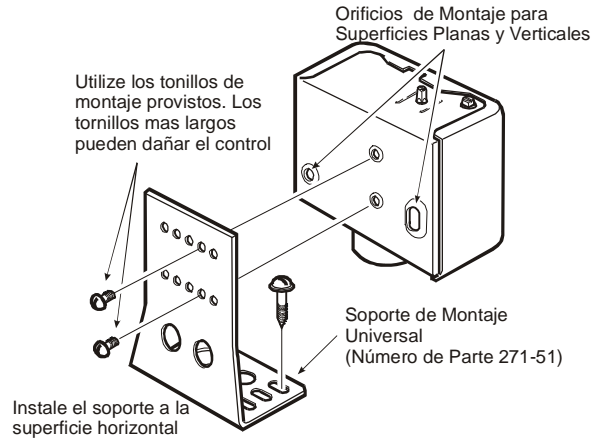


Figura 3: Instalación del los Controles de Presión P70, P72 y P170 con Cajas NEMA 1, pulg. (mm)

Conexiones de Presión

Los controles de presión alta P70, P72 y P170 se conectan al equipo controlado por medio de un capilar (excepto en modelos para amoníaco). Están disponibles en diferentes tipos de conexión de presión.

Siga estas pautas al instalar las líneas de conexión de presión:

IMPORTANTE: Si estos controles se instalan en equipo que contiene materiales peligrosos o regulados, tal como refrigerantes o lubricantes, el instalador y usuario deben observar todas las reglamentaciones que gobiernan el manejo y contención de esos materiales.

Evite Dobleces Agudos en el Tubo Capilar

Los dobleces agudos pueden debilitar los tubos del capilar, que resultarían en fugas u obstrucciones.

Permita Soltura en el Tubo Capilar

Dejar el tubo capilar un poco flojo puede ayudar a amortiguar la vibración mecánica que pueda debilitar o dañar los tubos capilares.

Enrolle y Asegure el Exceso del Tubo Capilar

Cuidadosamente enrolle cualquier exceso de tubo capilar en bobinas lisas y redondas (aproximadamente 2 pulg. de diámetro). Sujete el capilar enrollado.

Evite el Contacto entre el Tubo Capilar y Objetos Agudos o Abrasivos

La vibración de los objetos agudos o abrasivos que estén en contacto con los tubos capilares pueden resultar en fugas.

No Apriete Demasiado las Tuercas Abocinadas en los Conectores de la Línea de Conexión de Presión

Si aprieta las conexiones abocinadas demasiado puede dañar los hilos en las tuercas abocinadas o los conectores abocinados, y resultar en fugas. No exceda 9 pies-lbs (12 Nm) de torque al apretar las conexiones de latón abocinadas.

Evite la Pulsación de Presión Severa en las Conexiones de Presión

Instale las Líneas de conexión de presión que van a los puntos de entrada de presión lejos del compresor para minimizar los efectos de pulsación de presión en los compresores recíprocos.

IMPORTANTE: Después de instalar el control, vacíe las líneas del control y conexión de presión de acuerdo con los reglamentos locales, nacionales y regionales aplicables para remover el aire, humedad y otros contaminantes

Alambrado

Los controles P70, P72 y P170 para aplicaciones de presión alta están disponibles con varias opciones de interruptor y rangos eléctricos. Revise la etiqueta dentro de la tapa del control para el número del modelo, acción del interruptor, y clasificación eléctrica. Ver la Tabla 1 para las acciones de los interruptores y los modelos. Vea *Clasificaciones Eléctricas*.

Revise las designaciones de la terminales alambrado en el interruptor del control, y refiérase a las siguientes pautas y al diagrama de alambrado aplicable cuando se instale el control.



ADVERTENCIA: Riesgo de Descarga Eléctrica. Desconecte la corriente eléctrica antes de iniciar las conexiones eléctricas para evitar una posible descarga eléctrica. Puede ser necesario ejecutar más de una desconexión para desenergizar el control y el equipo.

IMPORTANTE: Use los tornillos de terminal provisos con el interruptor. El uso de otros tornillos de terminal invalidará la garantía y puede dañar el interruptor.

IMPORTANTE: Hace todas las conexiones de la instalación eléctrica de acuerdo con las reglamentaciones nacionales, locales, y regionales. Use sólo conductores de cobre. No exceda la clasificación eléctrica del control.

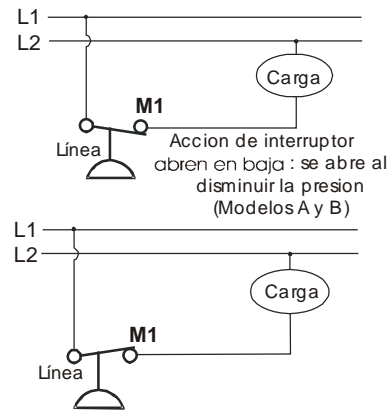


Figura 4: Alambrado Típico para Interruptores SPST (Modelos P70A, B, C, D y P170A, C, D)

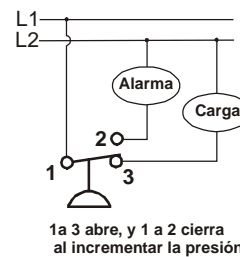


Figura 5: Alambrado Típico para Interruptores SPDT (Modelos P70E y F)

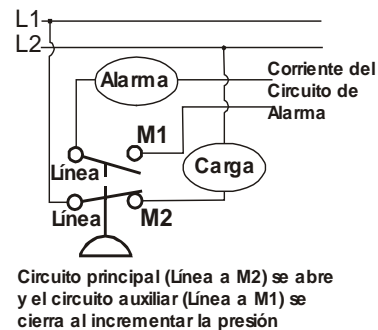


Figura 6: Alambrado Típico para Interruptores de 4 Alambres - 2 Circuitos (Modelos P70J, K y P170K)

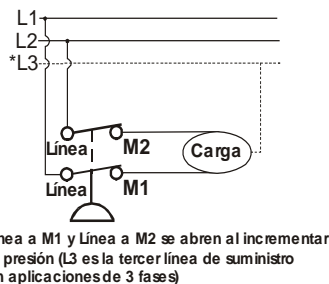


Figura 7: Alambrado Típico para Interruptores DPST (Modelos P72C y D)

Tabla 1: Controles de Presión Sencilla con Acción del Interruptor, Eventos Bajos, Eventos Altos, Tipos de Modelo, y Tabla de Referencia de Clasificación Eléctrica

Interruptor y Acción	Evento Bajo	Evento Alto	Tipos de Modelos – Tabla de Referencia de Clasificación Eléctrica
Un Polo-Un Tiro (SPST) Abre en baja	Desconexión (Abre Línea a M1)	Conexión (Cierra Línea a M1)	P70A, P70B, P170A Ver Tabla 3.
Un Polo-Un Tiro (SPST) Abre en alta	Conexión (Cierra Línea a M1)	Desconexión (Abre Línea a M1)	P70C, P70D, P170C, P170D Ver Tabla 3.
Un Polo-Dos Tiros (SPDT)	Abre 1 a 2 y Cierra 1 a 3	Cierra 1 a 2 y Abre 1 a 3	P70E Ver Tabla 4.
4-Alambres, 2-Circuitos, 1 N.A., 1 N.C. Abre en baja	Desconexión (Abre M2 a Línea y Cierra M1 a Línea)	Conexión (Cierra M2 a Línea y Abre M1 a Línea)	P70G, P70H Ver Tabla 5.
4-Alambres, 2-Circuitos, 1 N.A., 1 N.C. Abre en alta	Conexión (Cierra M2 a Línea y Abre M1 a Línea)	Desconexión (Abre M2 a Línea y Cierra M1 a Línea)	P70J, P70K, P170K Ver Tabla 5.
Dos Polos-Un Tiro (DPST) Abre en baja	Desconexión (Abre M1 a Línea y M2 a Línea)	Conexión (Cierra M1 a Línea y M2 a Línea)	P72A, P72B Ver Tabla 6.
(DPST) Abre en alta	Conexión (Cierra M1 a Línea y M2 a Línea)	Desconexión (Abre M1 a Línea y M2 a Línea)	P72C, P72D Ver Tabla 6.

Ajustes

Los ajustes de los controles de Presión Alta P70, P72 y P170 varían, dependiendo del modelo. Las siguientes pautas y diagramas ilustran los procedimientos para ajustar estos controles. Refiérase a la etiqueta del producto dentro de la tapa del control para el número del modelo y la acción del interruptor. Refiérase a la Tabla 1 para la acción del interruptor, evento bajo, y evento alto de los diferentes modelos de control.

Desconexión de Presión Alta – Restablecimiento Automático

Los controles de Desconexión de Presión Alta con restablecimiento automático tienen un placa de escala que despliega los puntos de ajuste de Conexión y Desconexión. (Ver la escala visible en el control.) Gire el tornillo de rango para cambiar los puntos de ajuste de Conexión y Desconexión, simultáneamente hacia arriba y abajo mientras se mantiene un diferencial de presión constante. Gire el tornillo del diferencial para ajustar (sólo) el evento bajo en el lado izquierdo de la escala (que cambia el valor de presión del diferencial).

Desconexión de Presión Alta – Bloqueo del Restablecimiento Manual

Los controles de Desconexión de Presión Alta con la opción de Bloqueo de Restablecimiento Manual tienen un placa de escala que despliega el punto de ajuste de desconexión. No existe ningún indicador para el punto de ajuste de Conexión. (Ver la escala visible en el control.) Gire el tornillo de rango para cambiar el punto de ajuste de Conexión en el lado derecho de la escala. Los modelos de Bloqueo de Restablecimiento Manual

no cuentan con tornillo de diferencial. El valor de la presión del diferencial está fijo.

Ciclado del Abanico del Condensador – Acción del Interruptor de Abierto Bajo

Los controles de presión que ciclado del abanico del condensador tienen un placa de escala que despliega el punto de ajuste de Conexión y el ajuste del Diferencial. (Ver la escala visible en el control.) Gire el tornillo de rango para cambiar el punto de ajuste de Conexión en el lado derecho de la escala. Gire el tornillo del diferencial para cambiar el ajuste en el lado izquierdo de la escala (que cambia el valor de presión de Desconexión).

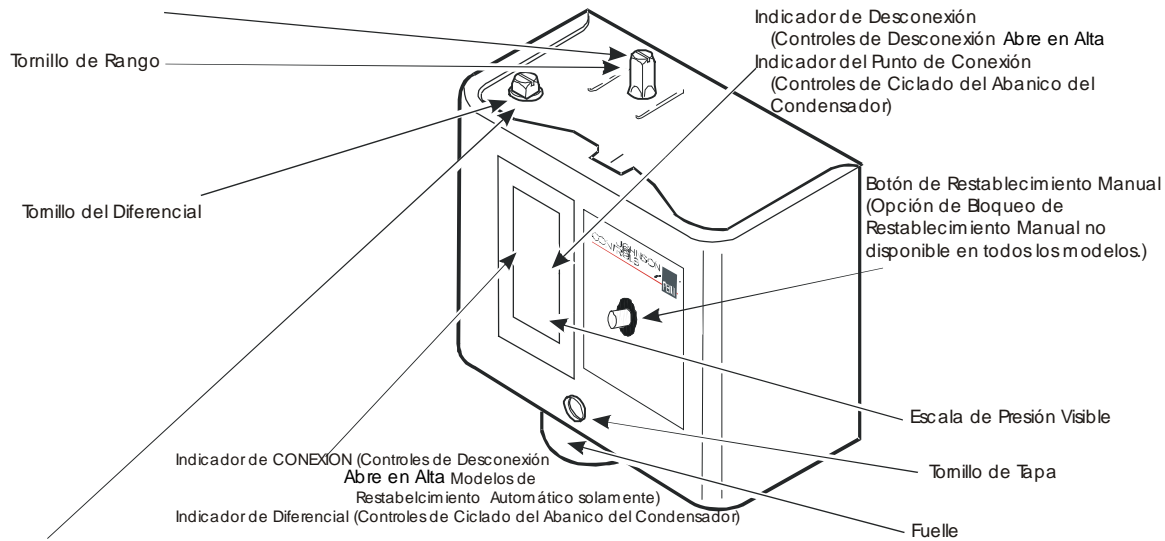
IMPORTANTE: No ajuste los indicadores más allá de las marcas mas alta o mas baja del indicador en la escala de presión del control. El ajuste de los indicadores más allá de éstas marcas puede dañar los hilos del tornillo y resultar en una operación incorrecta del control.

IMPORTANTE: Use los ajustes de control de presión recomendados por el fabricante del equipo que va a ser controlado. No exceda las clasificaciones de presión del equipo controlado ni de cualquiera de sus componentes al verificar la operación de control de la presión o al operar el equipo controlado.

Paso 1. Establezca evento alto ajustado el tornillo de rango

Controles de Desconexión de Presión Alta: Gire el tornillo hacia la **derecha** para incrementar el punto de DESCONEXION

Controles de Ciclado del Abanico del Condensador: Gire el tornillo hacia la **derecha** para disminuir el punto de DESCONEXION.



Paso 2. Ajuste del Tornillo del Diferencial.

Controles de Desconexión de Presión Alta: Girar el tornillo del diferencial cambia el punto de CONEXION.

(Solo modelos de Auto-Restablecimiento) Girar el Tornillo hacia la **derecha** para disminuir el punto de CONEXION.

Controles de Ciclado del Abanico del Condensador: Girar el tornillo del diferencial cambia el ajuste del diferencial.

Girar el tornillo hacia la **derecha** para incrementar el DIFERENCIAL.

Figura 8: Ajuste de Controles P70, P72 y P170 para Aplicaciones de Presión Alta

IMPORTANTE: Después de montar y alambrear el control, instale un juego de medidores confiables al equipo controlado, y opere el equipo (por lo menos) tres ciclos bajo las presiones necesarias para verificar los puntos de ajuste del control y la operación del equipo apropiada.

Operación de Restablecimiento Manual

Los controles de presión con la opción de Restablecimiento Manual se bloquean cuando se alcanzan la presión de Desconexión y deben restablecerse manualmente por el usuario para reiniciar el equipo controlado. El mecanismo de restablecimiento manual **de movimiento libre** y no puede restablecerse al bloquear o sujetar el botón de restablecimiento.

En equipo con los controles bloqueados, determine y resuelva la razón del bloqueo, y permita que la presión detectada caiga por lo menos 70 psig más abajo del punto de ajuste de Desconexión. Después, presione y suelte el botón de restablecimiento que se localiza al frente del control para restablecer la operación del equipo controlado.

Table 2: Modelos de Control Estándar P70, P72 y P170 para Aplicaciones de Presión Alta

Número del Modelo	Acción del Interruptor	Rango psig (kPa)	Diferencial psi (kPa)	Conexión de Presión	
Modelos de Control de Ciclado del Abanico del Condensador (para Refrigerantes No Corrosivos)					
P70AA-118	SPST Abre en baja	100 a 400 psig (690 a 2758)	Mínimo 35 (241) Máximo 200 (1379)	Capilar de 36 pulg. con Tuerca Abocinada de 1/4 pulg.	
P70AA-2		0 a 150 psig (0 a 1034)	Mínimo 12 (83) Máximo 70 (482)		
P72AA-27	DPST Abre en baja	100 a 400 psig (690 a 2758)	Mínimo 35 (241) Máximo 200 (1379)		
P170AA-118	SPST Abre en baja			Conector Abocinado Macho de 1/4 pulg.	
Modelos de Control de Todo Rango (para Refrigerantes No Corrosivos)					
P70CA-2*	SPST Abre en Alta	50 a 500 psig (345 a 3448)	Mínimo 60 (414) Máximo 150 (1034)	Conector Abocinado Macho de 1/4 pulg.	
P70CA-3*			Restablecimiento Manual		
P70DA-1*					
P70KA-1*	4-Alambres, 2-Circuitos Línea-M1 Cierra en Alta Línea-M2 Abre en Alta			Mínimo 60 (414) Máximo 150 (1034)	Capilar de 36 pulg. con Tuerca Abocinada de 1/4 pulg.
P72CA-2*	DPST Abre en Alta				
P72DA-1*					
P170CA-3*	SPST Abre en Alta		Mínimo 60 (414) Máximo 150 (1034)	Conector Abocinado Macho de 1/4 pulg.	
P170DA-1*					
P170KA-1*	4-Alambres, 2-Circuitos Línea-M1 Cierra en Alta Línea-M2 Abre en Alta	Restablecimiento Manual			
Modelos Compatibles con Amoníaco					
P70AA-119	SPST Abre en Baja	50 a 300 psig (345 a 2068)	Mínimo 20 (138) Máximo 120 (827)	NPT Hembra de Acero Inoxidable de 1/4 pulg.	
P70CA-5*	SPST Abre en Alta	50 a 500 psig (345 a 3448)	Mínimo 60 (414) Máximo 150 (1034)		
P70DA-2*			Restablecimiento Manual		

* Modelos que son listados por UL como controles de límite de presión de refrigeración.

Nota: Ver *Dimensiones y Especificaciones Técnicas* para mayor información del modelo que incluye la Presión Operacional Máxima y las clasificaciones de la Máxima Sobrepresión.

Clasificaciones Eléctricas

Tabla 3: Clasificaciones Eléctricas SPST (Modelos P70A, B, C, D, y P170A, B, C, D)

	Clasificaciones de Motores Monofásicos Estándares					Clasificaciones para Compresor Hermético Monofásico
	120 VCA	208 VCA	240 VCA	*480 VCA	*600 VCA	208/240 VCA
Amperios del Motor con Carga Completa	20	18.7	17	5	4.8	20
Amperios del Motor con el Rotor Bloqueado	120	112.2	102	30	28.8	120
Amperios No Inductivos	22	22	22	--	--	--
Servicio Piloto	125 VA de 120 de 600 VCA; 57.5 VA de 120 a 300 VCD					

* No es para cargas de motores de compresores.

Tabla 4: Clasificaciones Eléctricas del Interruptor de Diferencial Estándar (Modelos P70E)

	Clasificaciones de Motores Monofásicos Estándares			
	120 VCA	208 VCA	240 VCA	277 VCA*
Amperios del Motor con Carga Completa	16.0	9.2	8.0	7.0
Amperios del Motor con el Rotor Bloqueado	96.0	55.2	48.0	42.0
Amperios No Inductivos	16.0	16.0	16.0	16.0
Servicio Piloto	125 VA de 120 hasta 600 VCA			125 VA de 24 hasta 600 VCA

* Clasificaciones para modelos P70EC solamente

Tabla 5: Clasificaciones Eléctricas de 4 Alambres – 2 Circuitos (Modelos P70G, H, J, K, y P170K)

	Clasificaciones de Motores Monofásicos Estándares									
	Línea-M2 (Contactos Principales)						Línea-M1 (Contactos Auxiliares)			
	120 VCA	208 VCA	240 VCA	277 VCA	*480 VCA	*600 VCA	120 VCA	208 VCA	240 VCA	277 VCA
Amperios del Motor con Carga Completa	16.0	9.2	8.0	--	5	4.8	6.0	3.3	3.0	--
Amperios del Motor con el Rotor Bloqueado	96.0	55.2	48.0	--	30	28.8	36.0	19.8	18.0	--
Amperios No Inductivos	16.0	9.2	8.0	7.2	--	--	6.0	6.0	6.0	6.0
Servicio Piloto (para ambos juegos de contactos)	125 VA de 24 a 600 VCA; 57.5 VA de 120 a 300 VCD									

* No para cargas de motor de compresor

Tabla 6: Clasificaciones Eléctricas DPST (Modelos P72A, B, C y D)

	Clasificaciones Estándares							Rangos del Compresor Hermético	
	120 VCA 1Ø	208 VCA 1Ø	240 VCA 1Ø	208 VCA 3Ø	220 VCA 3Ø	*480 VCA 1Ø	*600 VCA 1Ø	208 VCA 1Ø	240 VCA 1Ø
Amperios del Motor con Carga Completa	24	18.7	17	15.9	15	5	4.8	24	24
Amperios del Motor con el Rotor Bloqueado	144	112.2	102	95.4	90	30	28.8	144	144
Amperios No Inductivos CA	24	24	24	24	24	--	--	--	--
Amperios No Inductivos CD	3	0.5	0.5	0.5	0.5	--	--	--	--
Servicio Piloto	125 VA de 120 a 600 VCA; 57.5 VA de 120 a 300 VCD								

* No es para cargas del motor de compresor

Especificaciones Técnicas

Producto	Controles P70, P72 y P170 para Aplicaciones de Alta Presión			
Acción del Interruptor	P70, P170: SPST; 4-Alambres/2-Circuitos; o Interruptor SPDT PENN®		P72: DPST	
Conexión de Presión	Modelos Estándares P70, P72 disponibles con varias conexiones.	Modelos Estándares P170, conector macho abocinado de 1/4 pulg. SAE	Modelos Compatibles con Amoníaco 1/4 pulg. NPT conexión hembra de acero inoxidable	
Máxima Presión Operacional	para rango 0-150 psig: 150 psig (1034 kPa)	para rango 50-300 psig: 300 psig (2068 kPa)	para rango 100-400 psig: 400 psig (2758 kPa)	para rango 50-500 psig: 500 psig (3448 kPa)
Máxima Sobrepresión (non-recurrente)	para rango 0-150 psig: 525 psig (3620 kPa)	para rango 50-300 psig: 400 psig (2758 kPa)	para rango 100-400 psig: 475 psig (3275 kPa)	para rango 50-500 psig: 525 psig (3620 kPa)
Condiciones Ambientales	Tipos P70E y P70F: 50 a 104°F (10 a 40°C) Todos los Otros Modelos: -40 a 140°F (-40 a 60°C)			
Caja y Tapa	Caja NEMA 1: Caja de acero galvanizado; tapa de acero cromado y pintado. Caja NEMA 3R: Caja y tapa de acero cromado y pintado.			
Dimensiones (A x A x P)	Caja NEMA 1: 3-1/4 x 4 x 2-1/16 pulg. (83 x 101 x 53 mm) Caja NEMA 3R: 4-1/16 x 4-1/16 x 2-15/16 pulg. (104 x 104 x 74 mm)			
Peso de Embarque Aproximado	Empaque Individual (NEMA 1): 2.4 lb (1.08 kg); Empaque Múltiple (NEMA 1, múltiplos de 25 controls): 60 lb (27.2 kg)			
Listados de Agencias	Para información sobre modelos específicos, contacte al Grupo de Ingeniería de Aplicación de Refrigeración a 1-800-275-5676.			
Accesorios	Soporte de Instalación Universal 271-51 (provisto con controles estándares)			

Las especificaciones del desempeño son nominales y de acuerdo a estándares aceptables de la industria. Para aplicación en condiciones que estén fuera de éstas especificaciones, contáctese al Grupo de Ingeniería de Aplicación de Refrigeración al 1-800-275-5676. Johnson Controls, Inc. no será responsable de daños que resulten de una aplicación incorrecta o un mal uso de su productos.

European Single Point of Contact:

JOHNSON CONTROLS
WESTENDHOF 3
45143 ESSEN
GERMANY

NA/SA Single Point of Contact:

JOHNSON CONTROLS
507 E MICHIGAN ST
MILWAUKEE WI 53202
USA

APAC Single Point of Contact:

JOHNSON CONTROLS
C/O CONTROLS PRODUCT MANAGEMENT
NO. 22 BLOCK D NEW DISTRICT
WUXI JIANGSU PROVINCE 214142
CHINA



Controls Group
507 E. Michigan Street
P.O. Box 423
Milwaukee, WI 53201

Publicado en EE.UU.
www.johnsoncontrols.com